

 **somfy**[®]
myLink[™]



STOETT
SCREENS

Product Sheet



2015

Product Information

App Control

Harness the power of your favorite mobile device and upgrade to a convenient and relevant control option for Somfy-powered solutions.

Remote Access

Activate Somfy-powered applications even when you're away from home with a single tap to maximize the many lifestyle benefits they provide such as energy savings, UV protection and privacy.

Timed Events

Schedule scenes to automate motorized applications on a seven day schedule so you can effortlessly enjoy their many benefits.

On-screen Setup Wizard

Intuitive installation and setup allows you to enjoy your myLink experience in a short few minutes.

Flexible

Choose the best way to control your motorized applications with options such as individual control, group control, and more.

Compatible

Controls all Radio Technology Somfy® RTS products including blinds, shades, curtains, screens, awnings, and rolling shutters as well as RTS enabled lighting devices.

For more Somfy myLink information,
please visit mylink.somfy.com

myLink WiFi to Radio Technology Somfy Interface

Part #1811264

Overview

The myLink WiFi to Radio Technology Somfy® interface is a WiFi to RTS bridge that can control up to 5 channels of RTS motorized products using the Somfy myLink apps for iOS and Android devices. Through the app, users can send immediate RTS commands, create Scenes (a group of motorized products working together) and Schedules (timed events). Users may access their myLinks from anywhere with the apps' remote access feature. Though the myLink is a single-zone controller, multiple myLinks can be joined within the same system for multi-zone control. The myLink can also serve as an IP to RTS bridge for 3rd party control systems.



Features Summary

- Control for up to 5 RTS channels per myLink from iOS and Android devices
- Join multiple myLinks together for multi-zone control
- Manually activate RTS products
- Automate window coverings with Scenes and Schedules
- Supports Up/Down/My/Stop commands and incremental control (tilt/brightness)
- Plug-and-play installation
- Multiple users
- Remote access

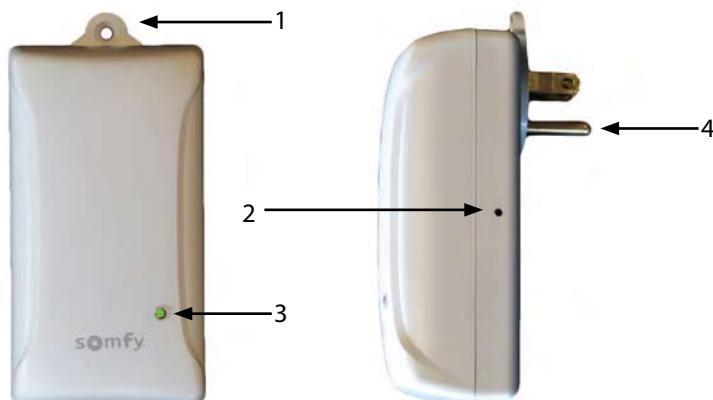
Technical Specifications

- 110V AC; 50-60Hz
- Ultra Low Power Wi-Fi (802.11 b/g/n)
- 4.11L x 2.23W x 1.52H in.
- Enclosure:
 - ABS
 - UL94V-0 flame rating
 - RoHS compliant
 - UL listed
- Radio Frequency:
 - RTS 433.32 MHz
 - WiFi: 2.4 GHz
- iOS Version: 6 and higher
- Android Version: Jelly Bean and higher
- Shipping Weight: 1lb

What's in the Box

- myLink
- Quick Start Guide

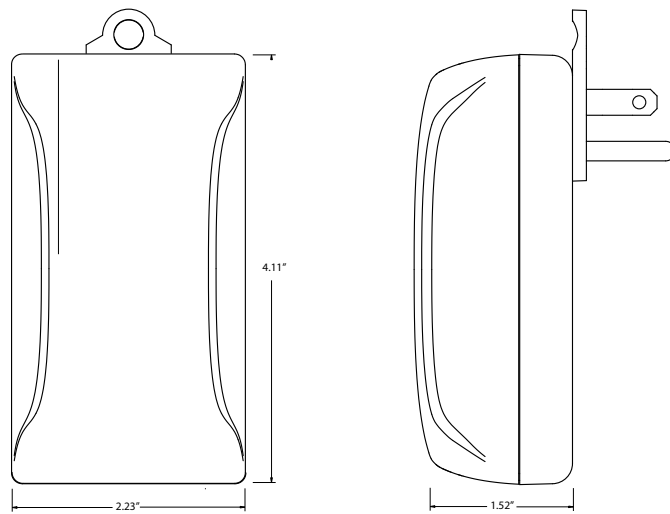
Connections and Indicators



ELEMENT	FUNCTION
1 Hold Down Tab	Allows device to be secured to outlet
2 Setup Button	Engages setup mode
3 Status LED	Solid Red: setup mode and is ready to connect to LAN Solid Green: connected to LAN Blinking Green: searching for/connecting to a LAN Flashing Red: RTS signal transmission Solid Amber (green & red): Factory reset mode
4 AC Prongs	AC prongs

Dimension & Wiring Best Practice

Dimensions



Wiring Best Practice





600 Defiance Avenue
Hicksville, OH 43526
P: (419) 542-0247
E: info@stoett.com
www.stoett.com

Follow us:   



For more Somfy myLink information,
please visit mylink.somfy.com