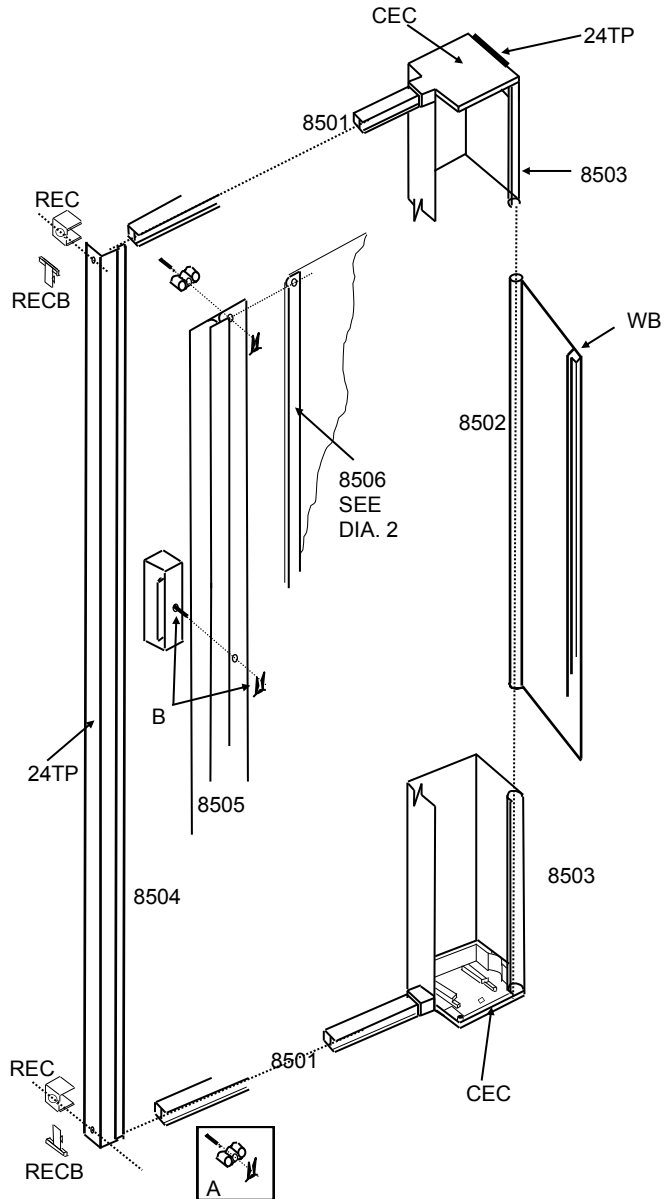


SHUB SCREEN - PARTS LIST SIZE 62 X 36'
SUPPLIER NEWLINE INTERNATIONAL.



SHUB FRAME PART NUMBERS AND DESCRIPTIONS.

Part I.D	Description	Qty	UM	Cut Size
8503	Aluminum canister (pt1)	1	Ea	
8502	Back plate (pt2)	1	Ea	
8501	Shower track	2	Ea	
8504	Aluminum shower door jamb. (Includes fixing tape (Pt 9), and support buttons (Pt 7) fitted.	1	Ea	
CEC	Canister end caps	1	Pr	
REC	Rail end caps. Snap fit to support buttons.	1	Pr	
RECB	Rail end cap support buttons.	1	Pr	
WB	Wiper blade . (Clear vinyl insert)	1	Ea	62"
24TP	24 mm wide double sided tape . For fixing wall jamb (Part 8504) to side wall.	1		62"
24TP	24 mm wide double sided tape. For fixing canister (Pt 8503) to side wall.	1		62"
8505	Handle	1	EA	
8506	"J " section	1	EA	
A	Top + Bottom Slider assembly- with pin and circlip	1	PR	
B	Hand grip, pin and circlip assembly	1	ea	

Diagram 2.
 36" screen assem
 (Refill available

