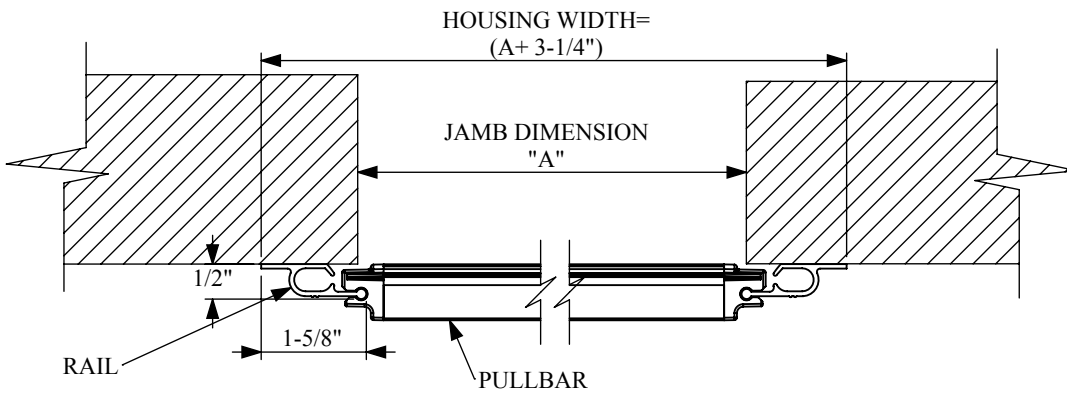
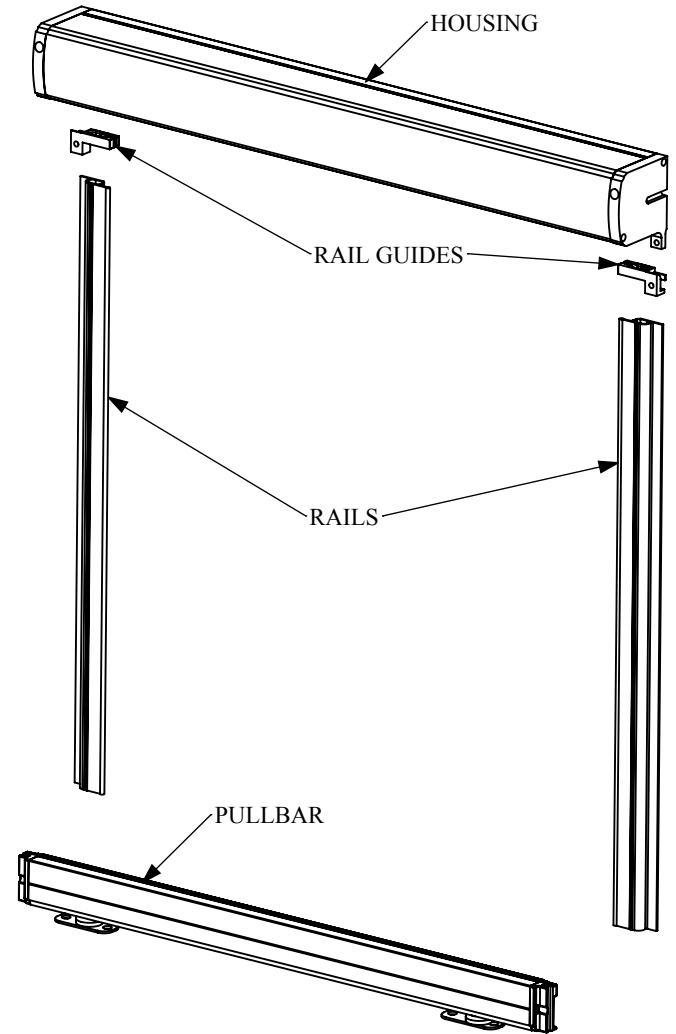
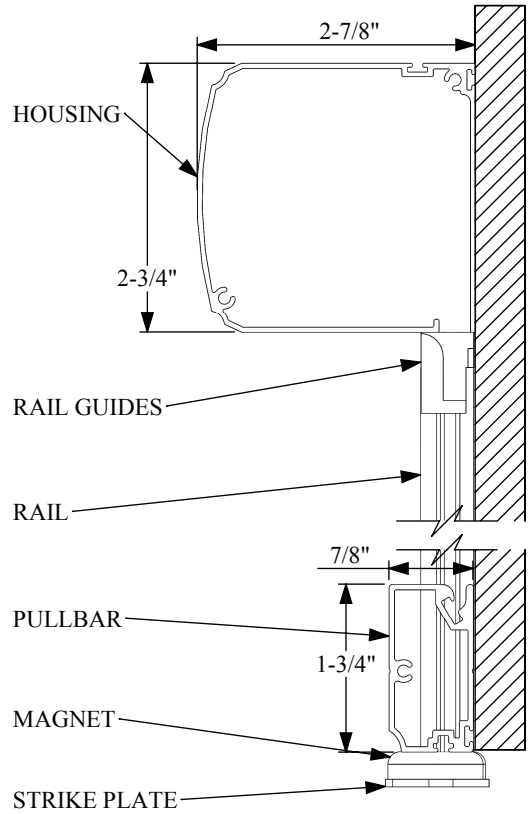


PANORAMALITE FLAT SURFACE MOUNT

END VIEW



SECTION VIEW

DRAWN	R. DESOTA	12-4-18		
<p>PROPRIETARY AND CONFIDENTIAL</p> <p>THE INFORMATION CONTAINED IN THIS DRAWING IS THE SOLE PROPERTY OF STOETT INDUSTRIES. ANY REPRODUCTION IN PART OR AS A WHOLE WITHOUT THE WRITTEN PERMISSION OF STOETT INDUSTRIES IS PROHIBITED.</p>			<p>PANORAMALITE SURFACE MOUNT</p>	
<p>REV. B</p>		SCALE: 1:10	WEIGHT:	SHEET 1 OF 1